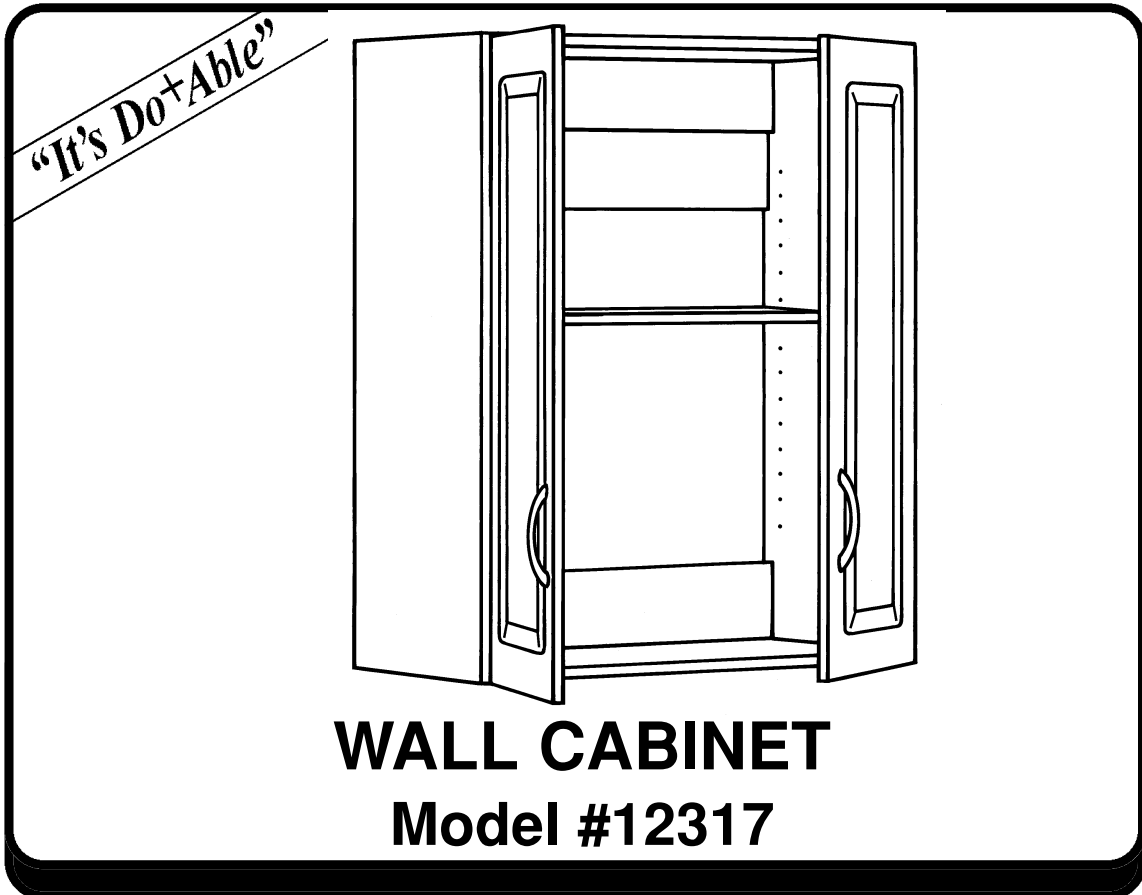




**ASSEMBLY INSTRUCTIONS
INSTRUCCIONES PARA ENSAMBLAR
DIRECTIVES D'ASSEMBLAGE**

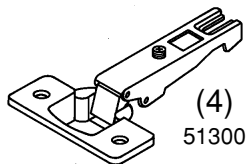
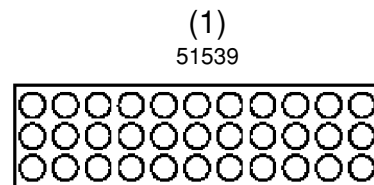
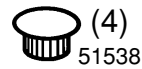
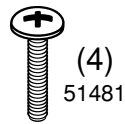
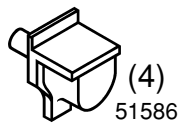
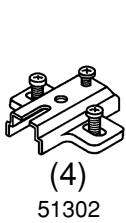
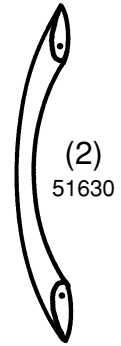
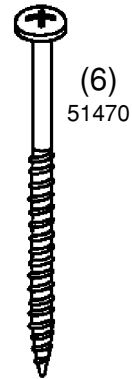
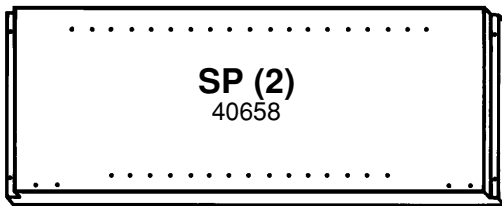
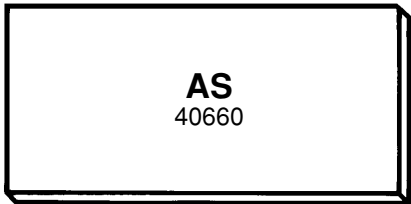
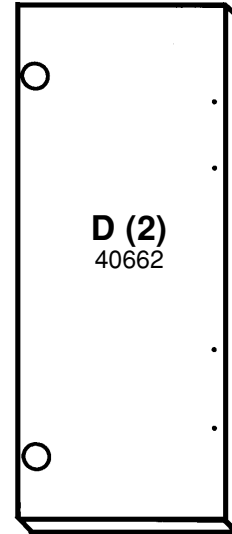
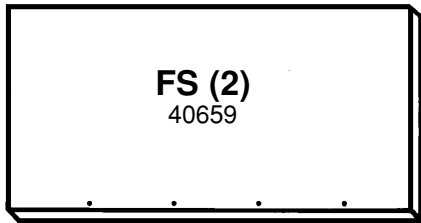


5150 EDISON AVENUE • CHINO, CALIFORNIA 91710-5717

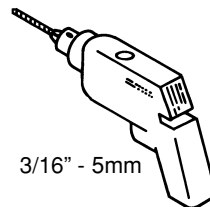
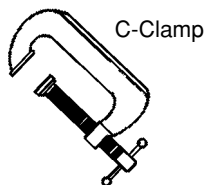
CUSTOMER SERVICE: (800) 829-3648

7 am to 5 pm M-F Pacific Time

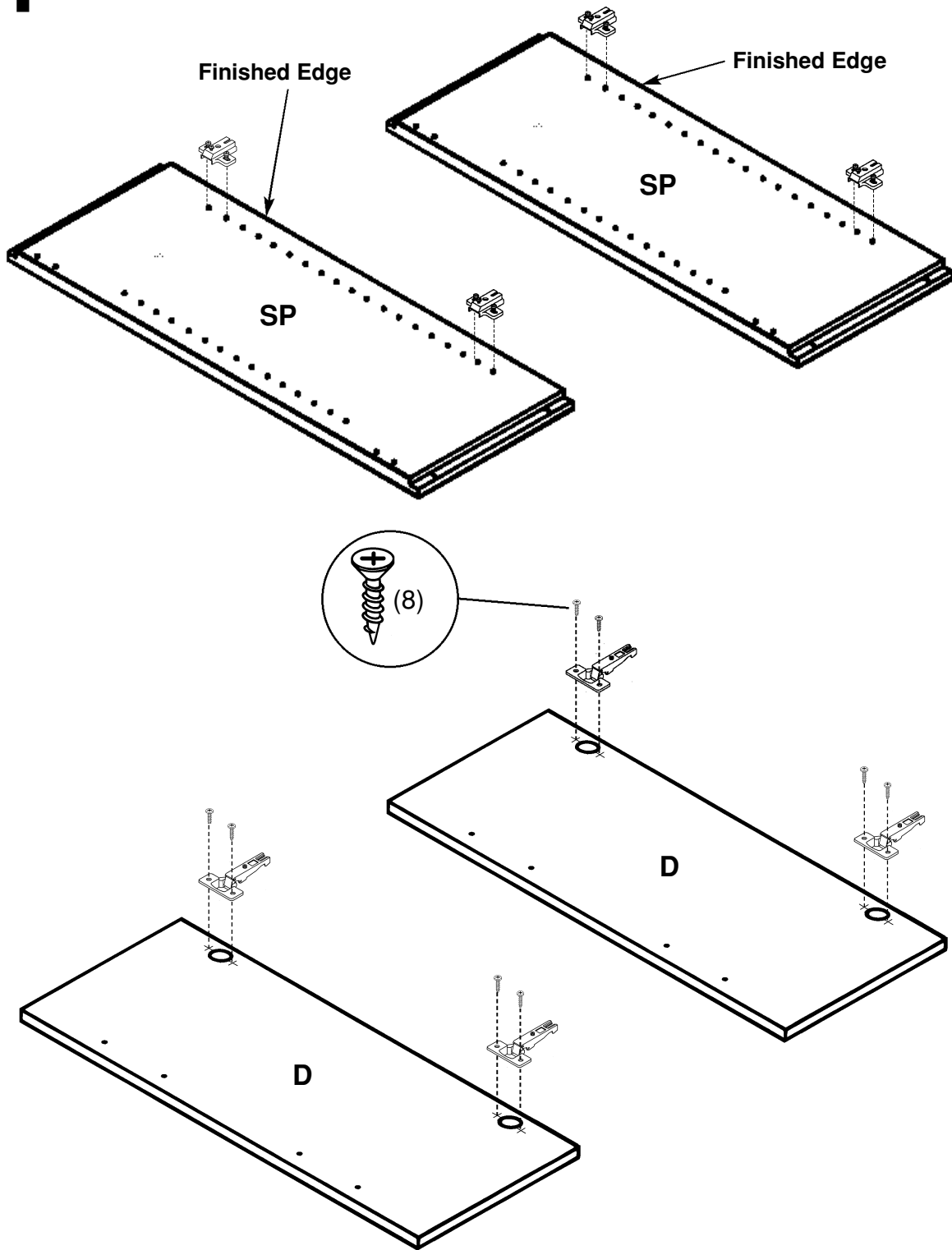
PARTS LIST / LISTA DE PIEZAS / LISTE DE PIECES



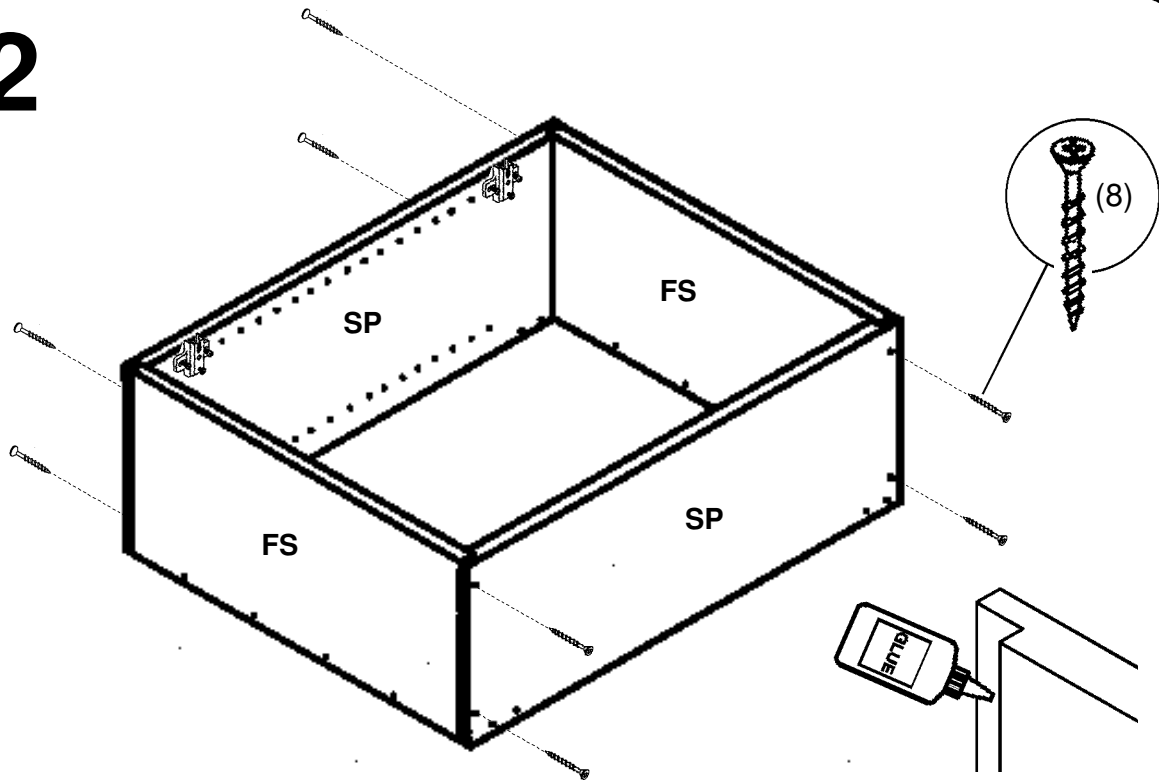
TOOLS / HERRAMIENTAS / OUTILS



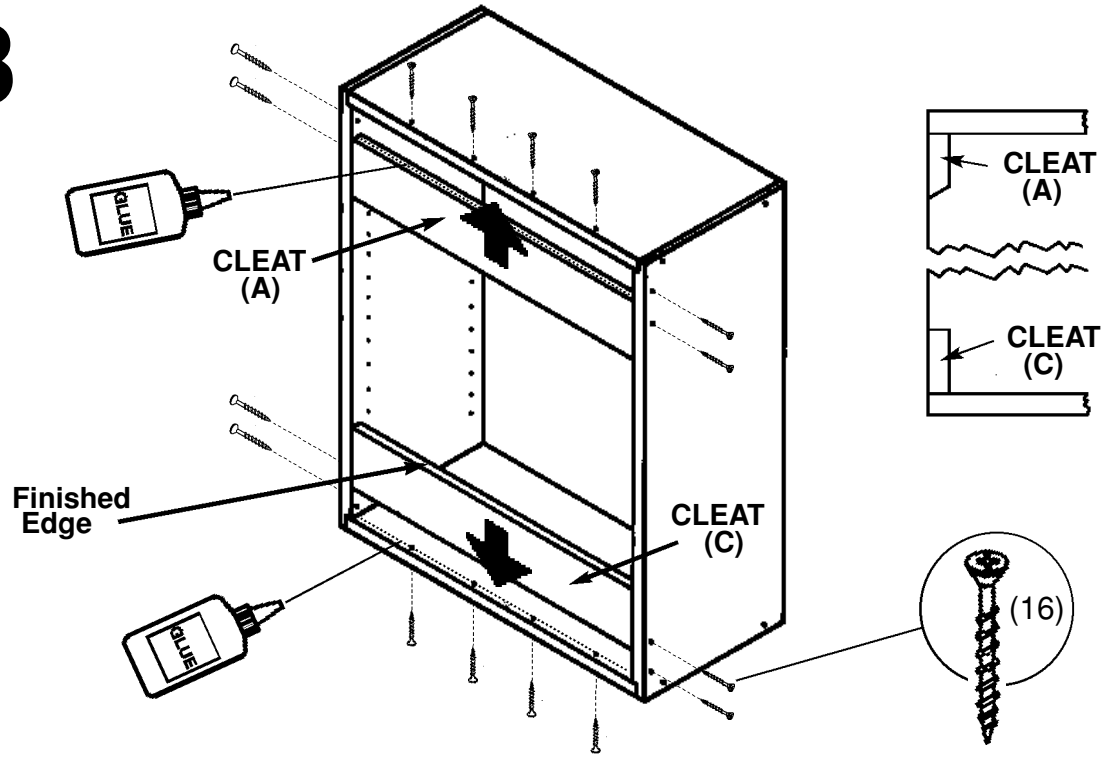
1



2

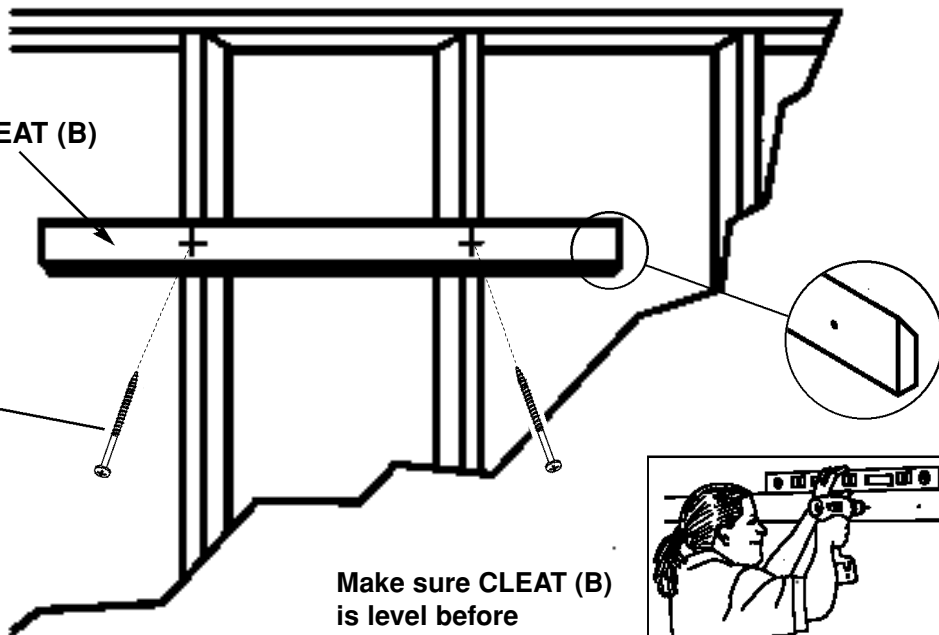
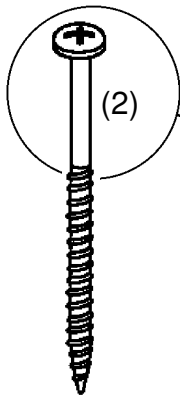


3

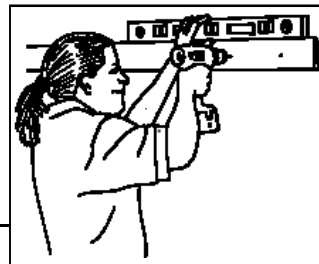


4

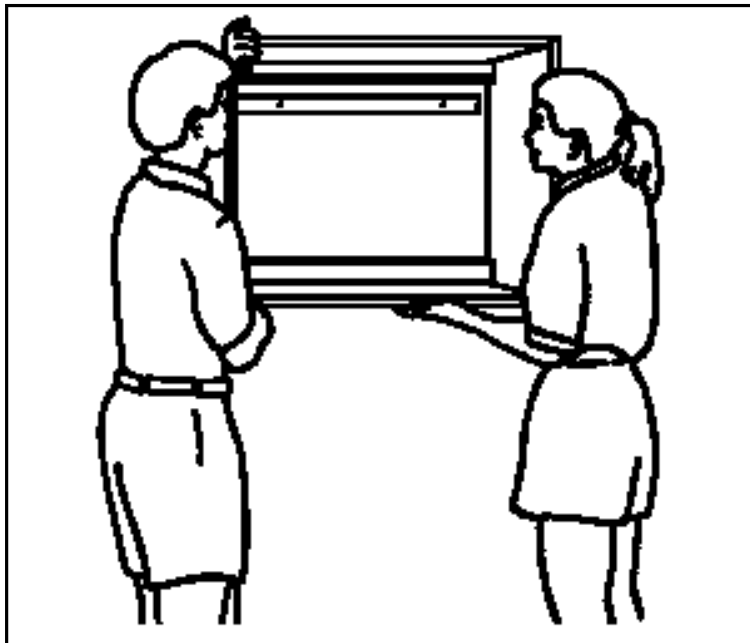
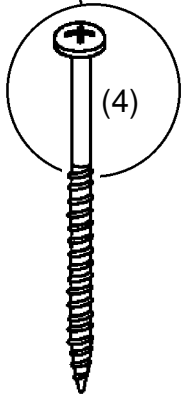
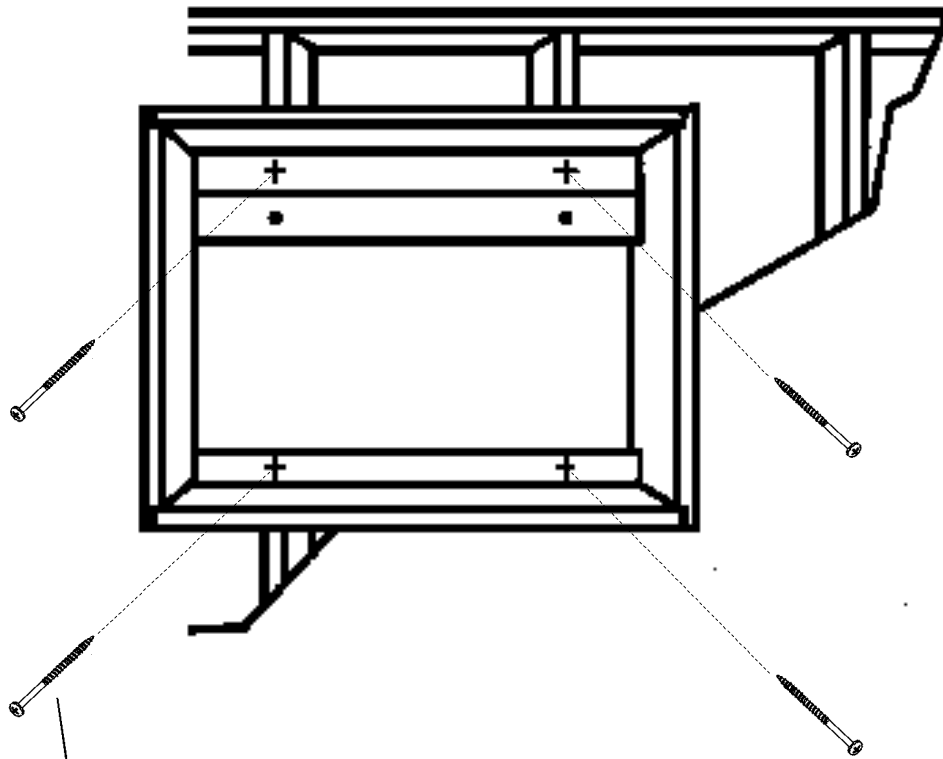
CLEAT (B)



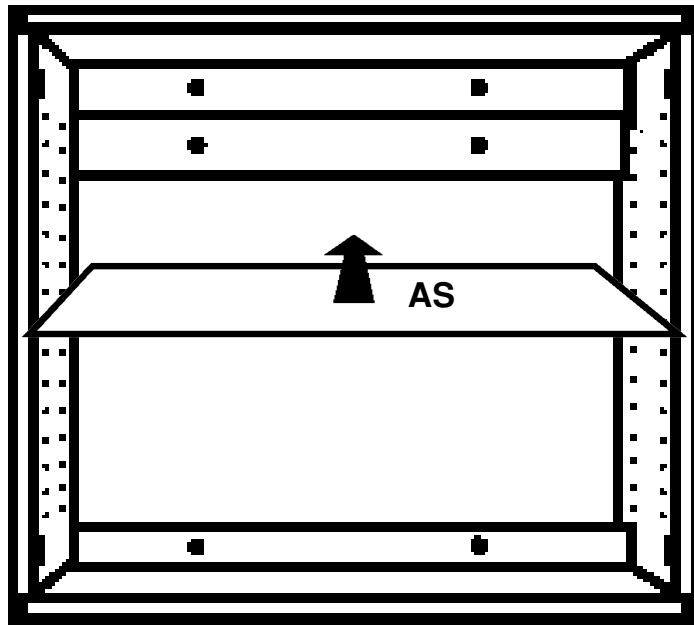
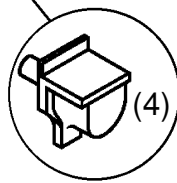
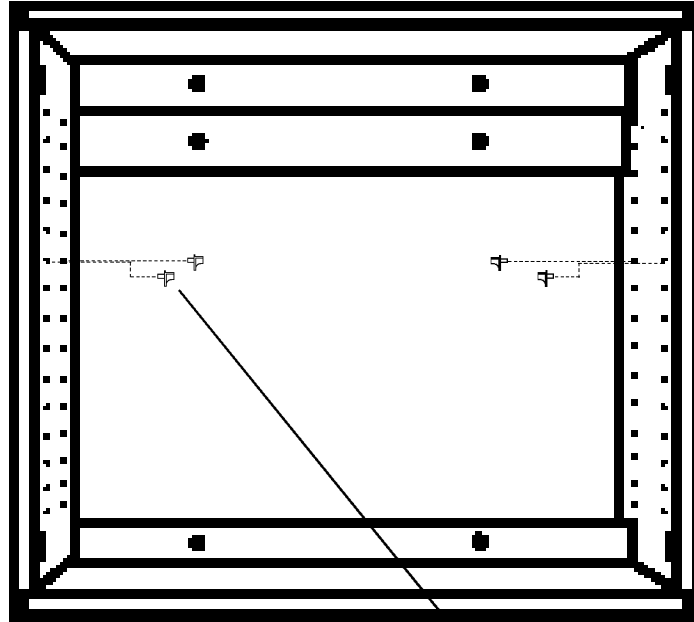
Make sure CLEAT (B)
is level before
installing screws



5

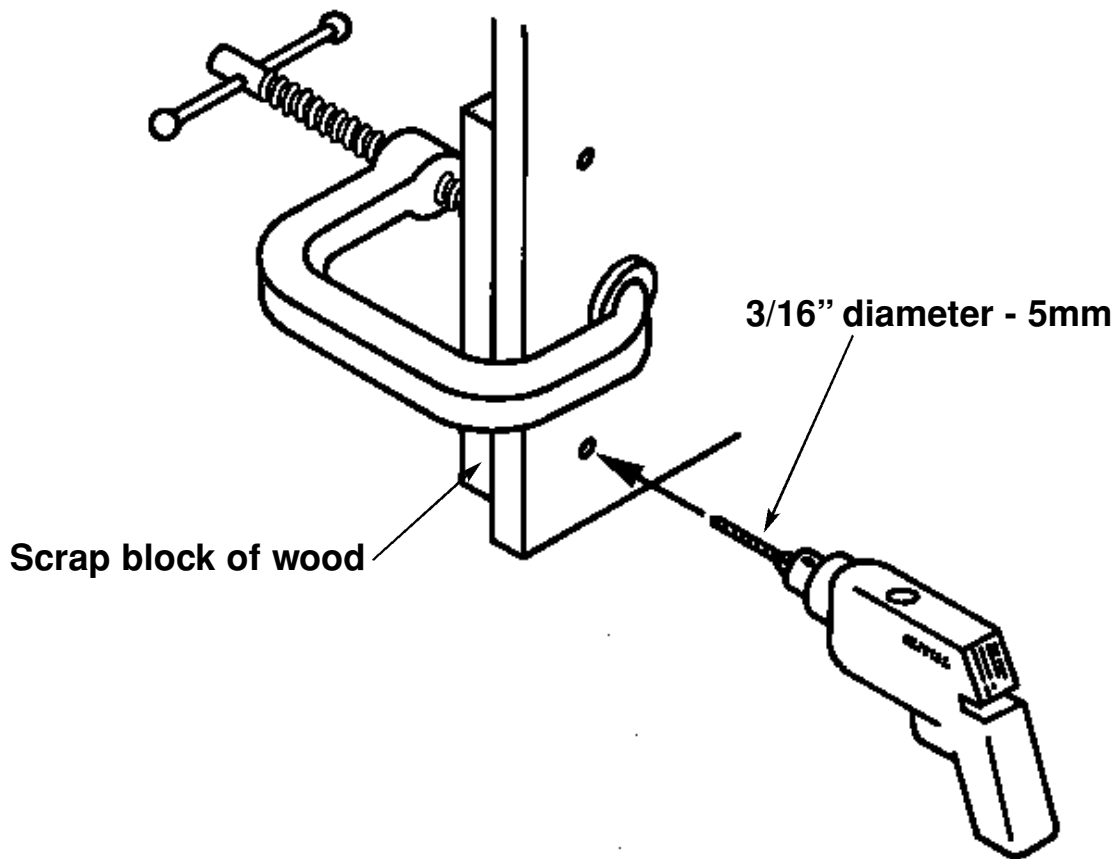


6

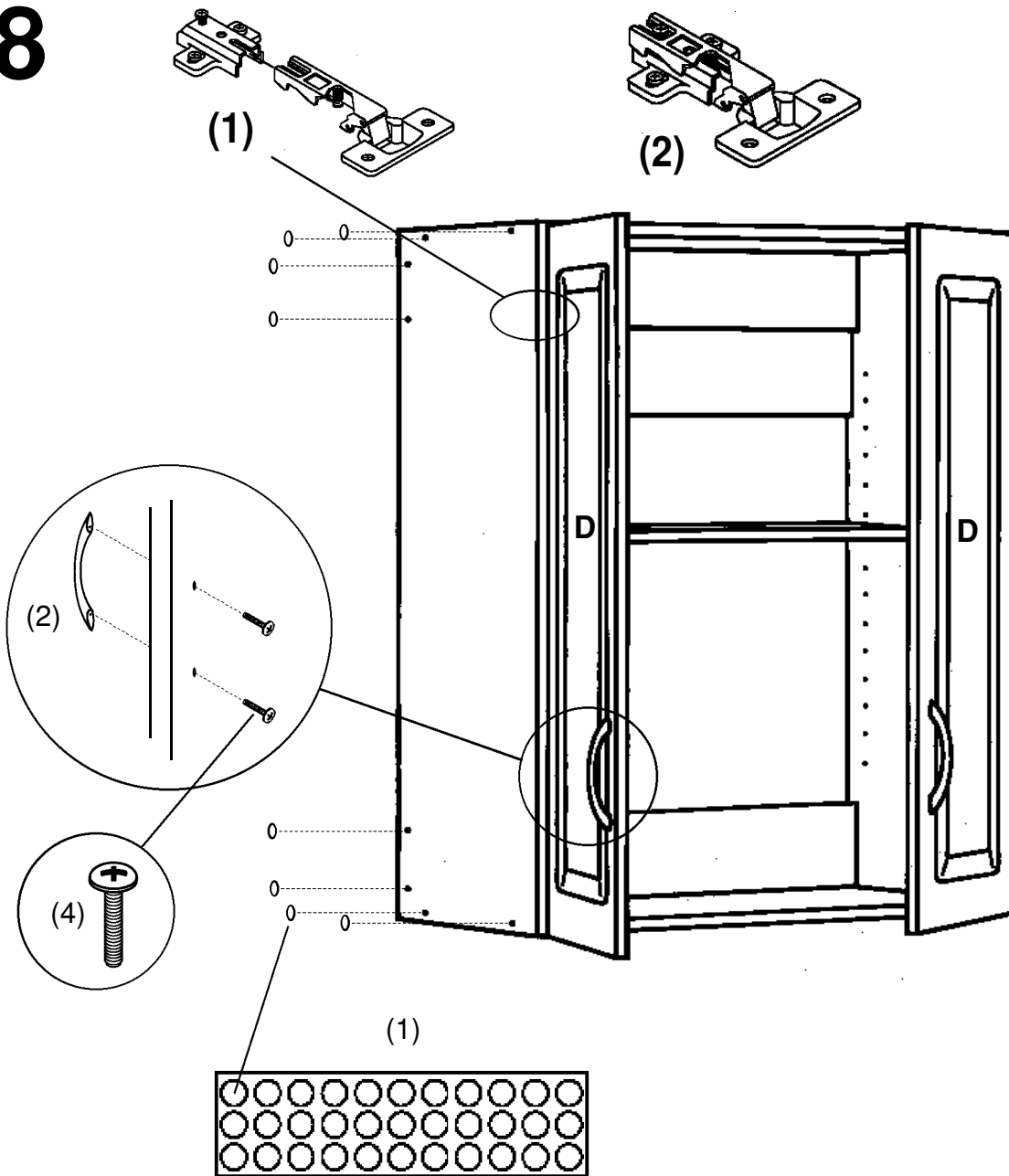


7

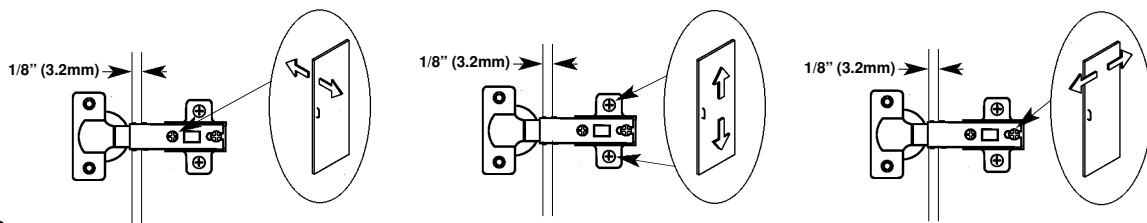
NOTE: Please Do Not drill doors until handle positions are decided.



8



DOOR ADJUSTMENT / AJUSTES DE LA PUERTA / REGLAGE DES PORTES



9

